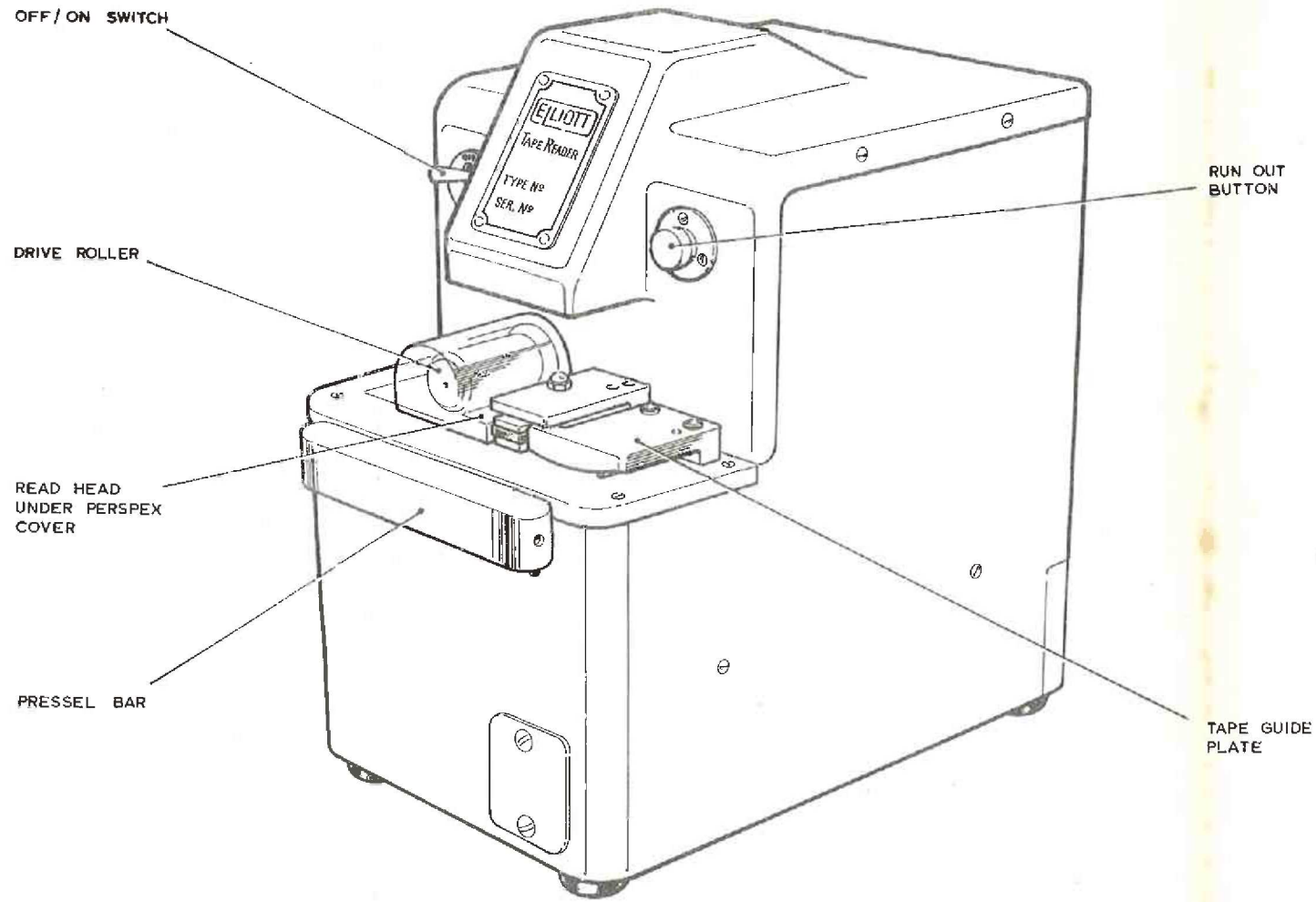
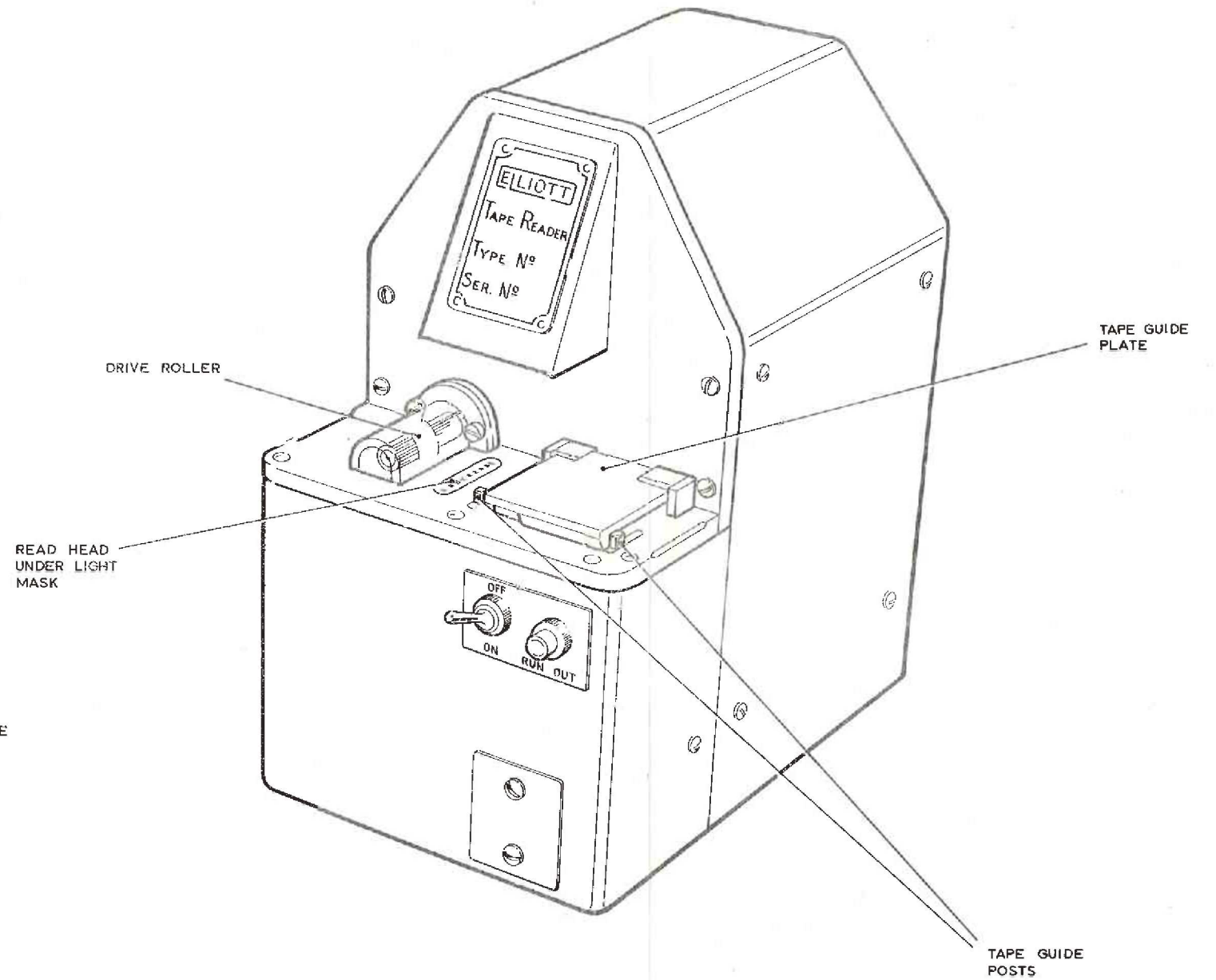


TRALL VIEW

Figure 1 (ISSUE 4)

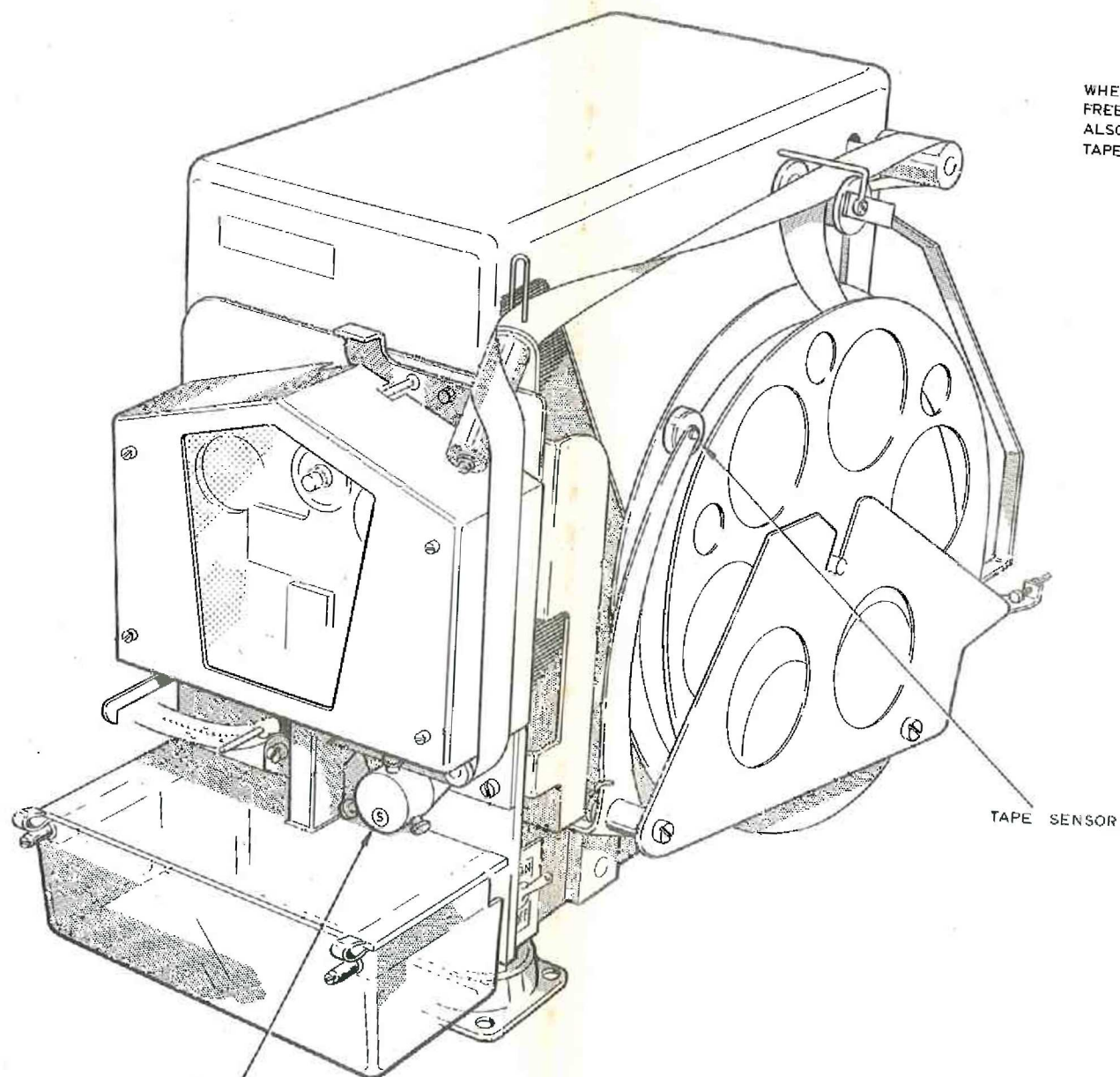


500 CHARACTERS PER SECOND



250 CHARACTERS PER SECOND

PUNCH SHOULD BE KEPT CLEAN
AND FREE FROM DUST.



WHEN RELOADING TAPE SEE THAT SPOOL ROTATES
FREELY AND DOES NOT FOUL CRADLE.
ALSO CARE MUST BE TAKEN TO ENSURE THAT
TAPE RETAINER DOES NOT FOUL TAPE GUIDE.

ADJUST FOR 5,7 & 8 HOLE TAPE
BY TURNING THIS CAPSTAN.

TAPE SENSOR